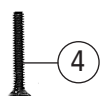
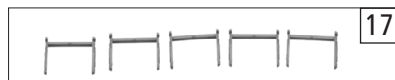
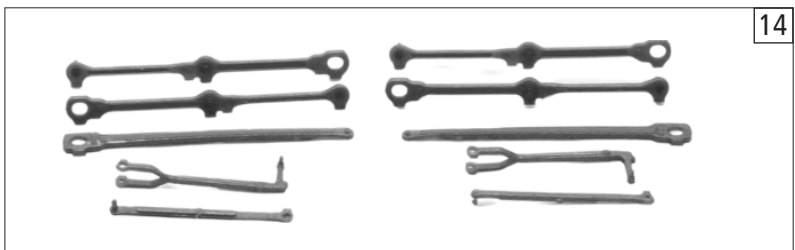
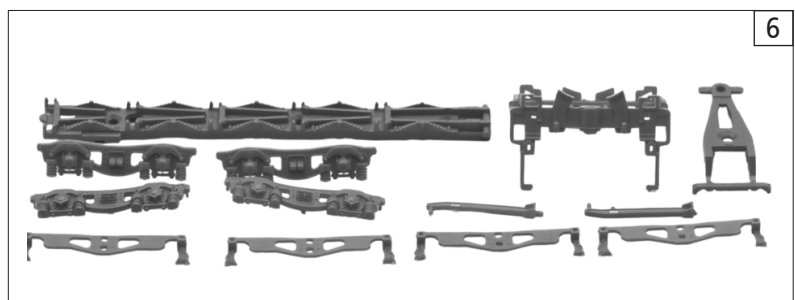
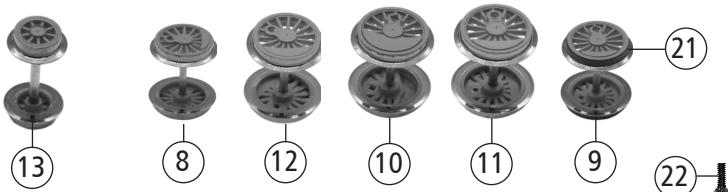
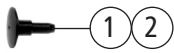
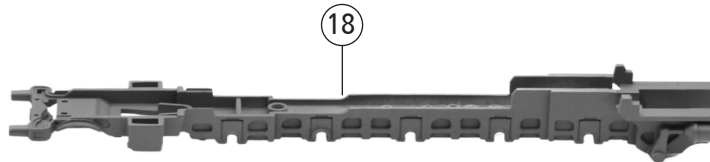
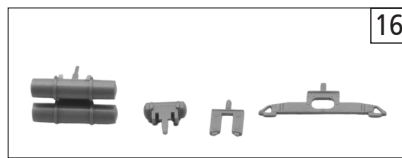
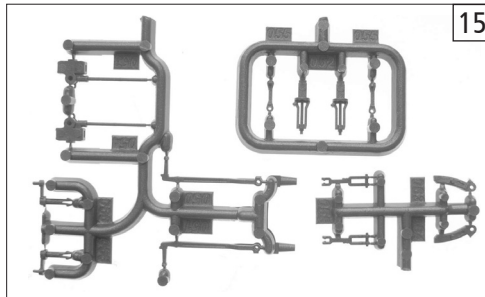
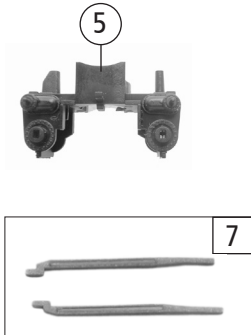
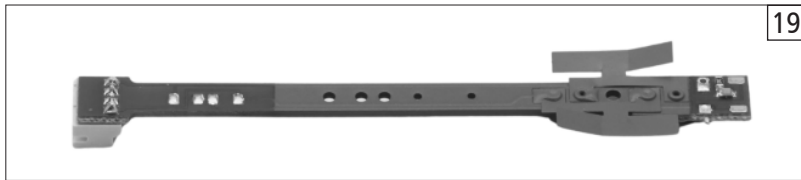
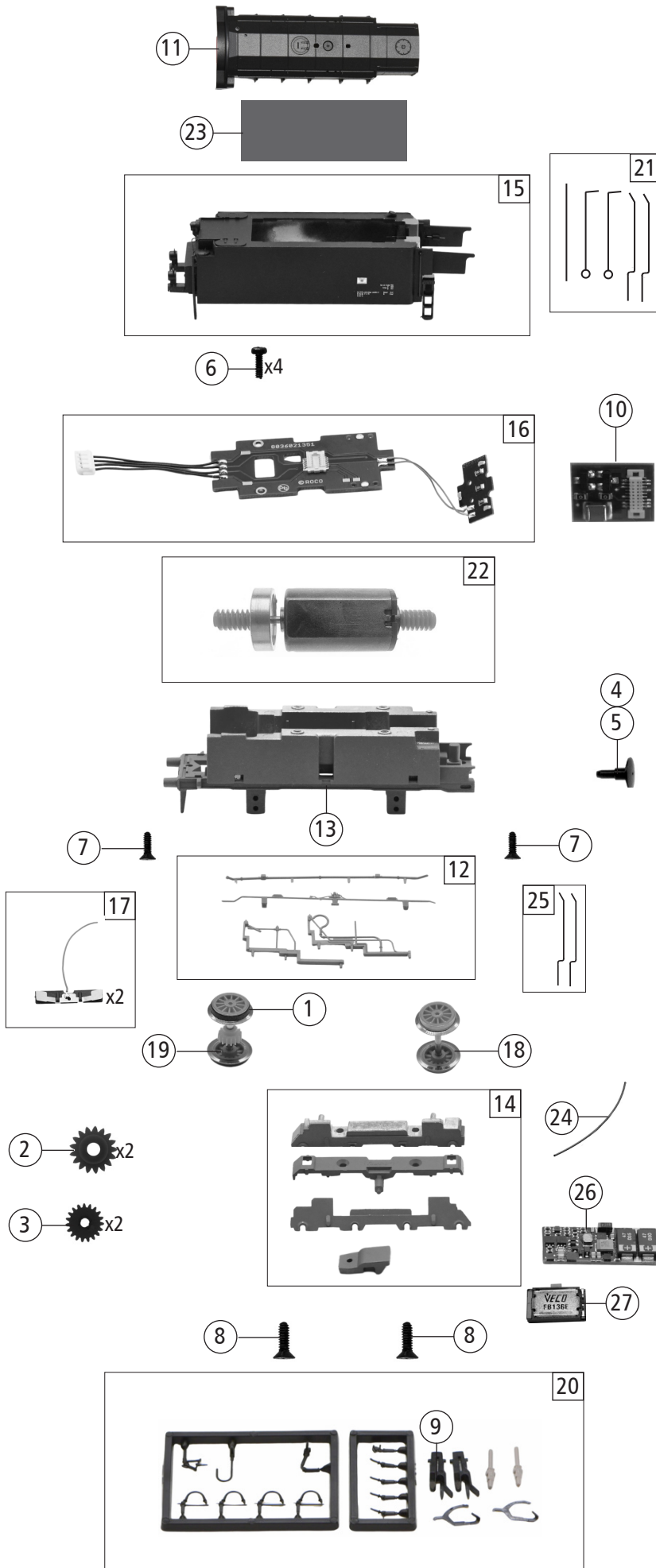


Pos. Nr. Pos.no.	Beschreibung Description	Art.-Nr. Art.no.	Preisgruppe Price bracket
7180015	DRB BR 44	=	
7190015		=	
1	Kessel kpl. Betr.nr. 44 0989-2 Boiler ass. loco no 44 0989-2	153647	34
2	Führerhaus kpl. Betr.nr. 44 0989-2 Drivers cab ass. loco no 44 0989-2	153648	17
3	TS-Windleitbleche, Kesselbod. Part set boiler bottom	126577	12
4	TS-Tendertür, Stütze, FH-Rückwand Part set drivers cab rear panel, tender door	126580	12
5	TS-Kupplungsdeichseln+Stützen Part set	153635	13
6	TS-Fenster,Lichtleiter,Linse Part set window lens light transmission bar	126584	13
7	TS-Kessel Part set boiler	141131	9
8	TS-Fenster,Lichtleiter, Part set window lens	129032	13
9	TS - Lampen, Pumpen, Steck. Part set lamps pumps...	126593	10
10	Nummerntafel lang Betr.nr. 44 0989-2 Loco number long loco no 44 0989-2	153650	10
11	TS-für Kessel + Tender Part set for boiler + tender	126596	10
12	Umlauf lackiert Running board coated	153649	13
13	TS-Lok + Tendergewichte Part set loco and tender ballast	141776	12
14	Zugfeder Spring	86208	3
15	GF-Schraube M2x5 GF-Screw M2x5	114966	3
16	TS-Drahtstangen chem.geschw. Part set rods	126629	10
17	Dampfvert. 4-fach + Generator Quadruple steam distributor + generator	129039	6

Änderungen in Konstruktion und Ausführung vorbehalten  
We reserve the right to change the construction and specification



Pos. Nr. Pos.no.	Beschreibung Description	Art.-Nr. Art.no.	Preisgruppe Price bracket
1	Puffer flach Buffer, flat	107658	5
2	Puffer gewölbt Buffer, vaulted	107659	5
3	SK-Schraube M1,6x5 SK-Screw M1,6x5	115317	4
4	SK-Schraube M1,6x16/6 SK-Screw M1,6x16/6	123585	3
5	Zylinderblock Cylinder block	129029	15
6	TS - Lokboden Part set loco bottom	153628	15
7	Kreuzkopfführung links+rechts Krosshead guide left+right	153634	9
8	Kuppelradsatz kleines Gewicht o. Haftr. Wheelset small weight without traction tiers	153629	11
9	Kuppelradsatz kleines Gewicht m. Haftr. Wheelset small weight with traction tiers	153630	12
10	Treibradsatz grosses Gewicht Wheelset big weight	153631	12
11	Kuppelradsatz mittleres Gewicht Wheelset middle weight	153632	11
12	Radsatz mit mittlerem versetztem Gewicht Wheelset With middle slanted weight	153633	11
13	Vorlaufradsatz Pilot wheelset	153627	10
14	TS-Kuppelstangen Part set coupling rods	153636	15
15	TS-Steuerung Parts set steering	153348	15
16	TS-Luftkessel, Stützenteile Part set for boiler chassis frame	153638	6
17	TS-Bremsbacke Part set brake shoe hold down	153637	7
18	Lokgrundrahmen Loco frame	153639	16
19	Lokplatine kpl. Printed circuit assembly for loco	126607	27
20	TS-Federn Dampflok TT Part set springs steam loco TT	126616	9
21	Haftringsatz 10Stk. 8,5-12mm Set w. traction tiers 10pieces 8,5-12mm	00547004	1
22	SK-Schraube M1,6x3 SK-Screw M1,6x3	125023	3



Pos. Nr. Pos.no.	Beschreibung Description	Art.-Nr. Art.no.	Preisgruppe Price bracket
1	Hafringsatz 10Stk. 7,8mm Set with traction tiers 10pieces 7,8mm	85617	---
2	Schneckenzahnrad Z=22/12 Worm gear Z=22/12	86482	4
3	Zahnrad Z=19 Gear Z=19	86499	3
4	Puffer flach Buffer, flat	107658	5
5	Puffer gewölbt Buffer, vaulted	107659	5
6	GF-Schraube M1,6x4 mm GF-Screw M1,6x4 mm	114850	3
7	SK-Schraube M1,6x5 mm SK-Screw M1,6x5 mm	115317	4
8	SK-Schraube M2x8 mm SK-Screw M2x8 mm	120189	3
9	TT-Kupplung KUEHN TT-Coupler KUEHN	150060	6
10	Brückenstecker Jumper	149978	17
11	Öltender Obertail Oil tender upper section	153640	9
12	TS-Tender-Führerhausleitungen Part set for tender and lines for drivers cab	153642	6
13	Tendergrundrahmen Tender frame	153643	12
14	Getriebeatz 4-tlg Tender gear assembly 4 parts	153646	11
15	Tendergehäuse kpl. Betr.nr. 44 0989-2 Tender body ass loco no 44 0989-2	153641	27
16	Tenderplatine kpl. Printed circuit assembly for tender	141177	25
17	Radkontakt Tender m. Litzen Wheel contact for tender with wires	126621	8
18	Radsatz o. Haftring o. Zahnrad Wheelset without gear without traction tiers	153644	10
19	Radsatz m. Haftring m. Zahnrad Wheelset with gear with traction tiers	153645	12
20	Zurüstbeutel Bag with accessories	153651	10
21	TS - Tendergriffstangen+Federn Part set handle bar	126631	16
22	Motor m. Schwungrad+2 Schnecken Motor w. flywheel+2 wormgears	126622	28
23	Schaumstoff für Schalldämmung Foam for acoustic insulation	126838	4
24	Deichselfederdraht Drawbar spring	139806	4
25	Tendertürfeder Tender door spring	140503	4
<b>Sound</b>			
26	Sounddecoder Hen.So.BR 44 ZIMO Sound decoder	141782	40
27	Lautsprecher Loudspeaker	68701100	16